

## Aquarius Blue Laser Pointer

**Laserglow Part Number: GAP002XXX**



### Similar Products:

For information about the other lasers in this product family visit:

<http://www.laserglow.com/GAP>

### Ordering:

Order Online Now or Request Quote:

<http://www.laserglow.com/GAP002XXX>

### Series Specifications:

Nominal Wavelength	473 nm
Output Type	Pulsed (700 Hz)
Laser Source Type	DPSS



### Overview:

This blue laser pointer will captivate audiences wherever you take it, whether at home with friends or at a presentation conference with colleagues. Blue laser pointers are still so rare that few have ever seen one. Be one of the first to own this unique product but don't blame us if you keep getting asked how you got one!

### Key Features:

- *Starting at: \$349*
- *Output Power: 2 mW - 4.9 mW (Varies with model)*
- *Expected Life: 5000 hours*
- *Wavelength: 473 nm (blue)*
- *Key Feature: Most technologically advanced portable laser*
- *Package Includes: Portable laser, aluminum carrying case, instructions/warranty.*
- *Casing: Hard anodized machined aluminum*
- *Safety Info: Complies with Class IIIa regulations*
- *Duty Cycle: 90 sec. on/20 sec. off*

## Specifications:

This spec sheet has been generated specifically for part number GAP002XXX, per your request, and data for the entire series is also displayed for your reference. The specs which are specific to GAP002XXX have been highlighted below in **red + bold**.

Laser Form Factor	<b>GAP</b>
Output Power (mW)	<b>&lt;2</b>
FDA Safety Class	<b>IIIa</b>
Central Wavelength (nm)	<b>472.58</b>
Divergence (mrad, full angle)	<b>&lt;1</b>
Beam Dimensions (mm, 1/e <sup>2</sup> )	<b>1</b>
Transverse Mode	<b>Near TEM00</b>
Longitudinal Modes	<b>Multiple</b>
Approximate Peak Power (W)	<b>3</b>
Operating Temperature Range (°C)	<b>20 to 35</b>
Storage Temperature Range (°C)	<b>-10 to 50</b>
Total Power Consumption (W)	<b>3</b>
Max. Power Input Duty Cycle	<b>90 sec. on/20 sec. off</b>
Cooling Method	<b>Passive Air</b>
Standard Warranty (months)	<b>6</b>
MTTF (operational hours)	<b>5000</b>
Weight of Product or Laser Head (kg)	<b>0.1</b>
Dimensions of Product or Laser Head (mm)	<b>150 (l) x 16.5 (d)</b>
Power Supply	<b>1 x CR2 Battery</b>

CW: All specifications are based on performance at full output power and after the specified warmup period. Output characteristics may change if the laser is run at a different power level.

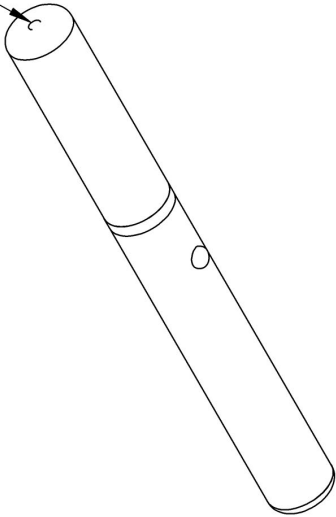
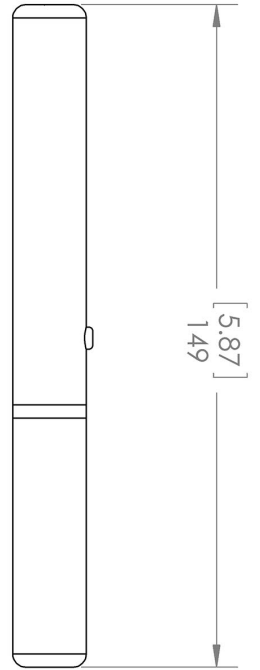
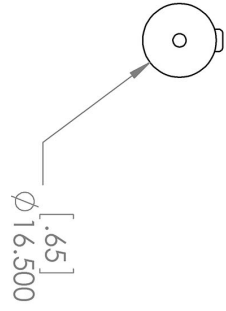
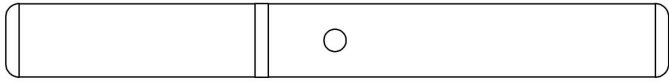
Q-Switched: Specifications are based on the laser pulsing at the specified design frequency. Output characteristics may change if the laser is run at a different frequency.

## Regulatory Classification:

The model you have selected (GAP002XXX) requires the following safety label(s):



Dimensional Drawing - Laser Form Factor: GAP:



Aperture

UNLESS OTHERWISE SPECIFIED:  
DIMENSIONS ARE IN MM(INCH)  
TOLERANCES: +/- 0.75 MM

THE INFORMATION CONTAINED IN THIS DRAWING IS THE SOLE PROPERTY OF LASERGLOW TECHNOLOGIES. ANY REPRODUCTION IN PART OR AS A WHOLE WITHOUT THE WRITTEN PERMISSION OF LASERGLOW TECHNOLOGIES IS PROHIBITED. © 2012 LASERGLOW.COM LIMITED. ALL RIGHTS RESERVED

Laserglow Technologies


TITLE:  
**Aquarius /  
Rigel HV /  
Electra / Hydra**  
REV  
**1**

SCALE: 2:3

SHEET 1 OF 1

**Accessories:**

The most popular accessories for model GAP002XXX are shown below. For additional details regarding these or other accessories please see our website or contact us directly.

Part Number	Description	
 ASE001XXX	Engraving On Laser Pointer Max. 2 lines 45 characters each Full Details: <a href="http://www.laserglow.com/ASE">www.laserglow.com/ASE</a>	

**FOR MORE INFORMATION PLEASE CONTACT:**

LASERGLOW TECHNOLOGIES  
99 Ingram Dr. Unit B, North York, ON, Canada M6M2L7  
Tel. (416) 729-7976 Fax (480) 247-4864  
[sales@laserglow.com](mailto:sales@laserglow.com) [www.laserglow.com](http://www.laserglow.com)

E&OE: Data included in this sheet may be subject to change without notice.

Please confirm critical specifications with our staff prior to ordering.