

Precious Metal Series Green Laser Pointer

Laserglow Part Number: GAU005GXX



Similar Products:

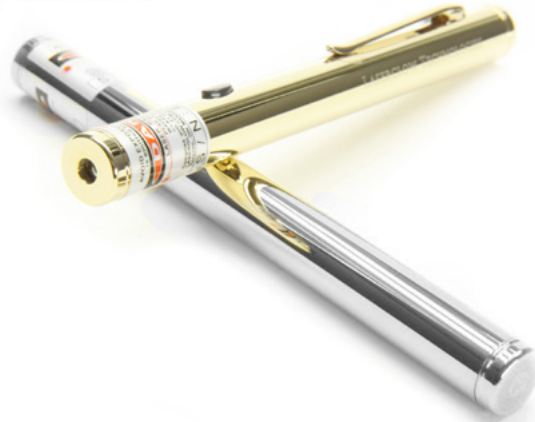
For information about the other lasers in this product family visit:

<http://www.laserglow.com/GAU>

Ordering:

Order Online Now or Request Quote:

<http://www.laserglow.com/GAU005GXX>



Series Specifications:

Nominal Wavelength	532 nm
Output Type	CW
Laser Source Type	DPSS

Overview:

These laser pointers are the ultimate in style for any presentation or lecture. Our green laser pointers are 5 to 10 times brighter than a standard red laser pointer! True 18k gold or platinum plating gives these green laser pointers an unforgettable shine, and the laser itself is the highest quality, as with all Laserglow pointers. The highly focused green beam will be visible against projection or HDTV screens where less powerful lasers can be hard to see. These make a great gift for the person on your list who enjoys a little bit of flash in their wardrobe and wants their accessories to look as good as they do!

All of Laserglow's green laser pointers are IR-filtered for safety and employ APC technology to maintain constant output power. APC (Automatic Power Control) is a system that uses an optical feedback loop to ensure stable laser output.

Key Features:

- **Starting at: \$79**
- **Output Power:** 3 mW - 5 mW, varies with model
- **Wavelength:** 532 nm (green)
- **Key Feature:** Super high-quality build, guaranteed power and brightness
- **Casing (Gold):** 18k gold plating over solid brass with pocket clip
- **Casing (Platinum):** Pur platinum plating over solid brass with pocket clip
- **Package Includes:** Portable laser, batteries, instructions/warranty.
- **Safety Info:** Complies with Class IIIa regulations, IR filtered for safety
- **Duty Cycle:** 90 sec. on/20 sec. off

Our commitment to quality makes Laserglow the best choice for laser pointers. [Learn what makes us special!](#)

Specifications:

This spec sheet has been generated specifically for part number GAU005GXX, per your request, and data for the entire series is also displayed for your reference. The specs which are specific to GAU005GXX have been highlighted below in **red + bold**.

Laser Form Factor	GLY
Output Power (mW)	<5
FDA Safety Class	IIIa
Central Wavelength (nm)	531.65
Divergence (mrad, full angle)	<1.2
Beam Dimensions (mm, 1/e ²)	1.5
Transverse Mode	TEM00
Longitudinal Modes	Multiple
Operating Temperature Range (°C)	15 to 35
Storage Temperature Range (°C)	-10 to 50
Total Power Consumption (W)	2
Max. Power Input Duty Cycle	90 sec. on/20 sec. off
Cooling Method	Passive Air
Standard Warranty (months)	6
MTTF (operational hours)	5000
Weight of Product or Laser Head (kg)	0.04
Dimensions of Product or Laser Head (mm)	136 (l) x 13 (d)
Power Supply	2 x AAA Batteries

CW: All specifications are based on performance at full output power and after the specified warmup period. Output characteristics may change if the laser is run at a different power level.

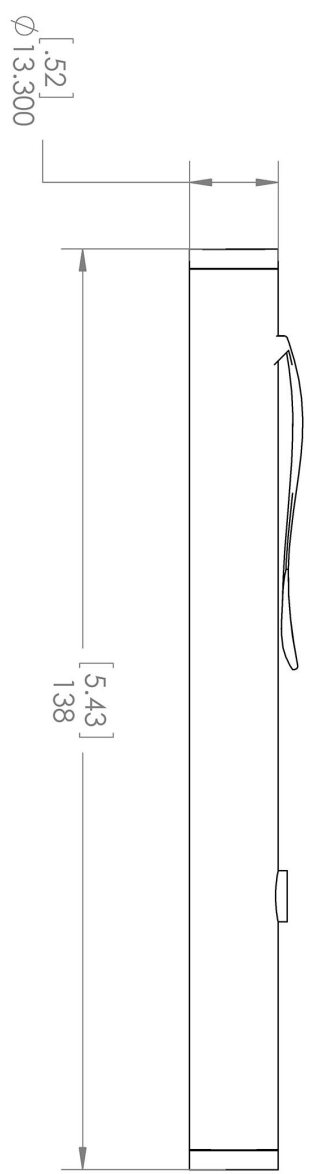
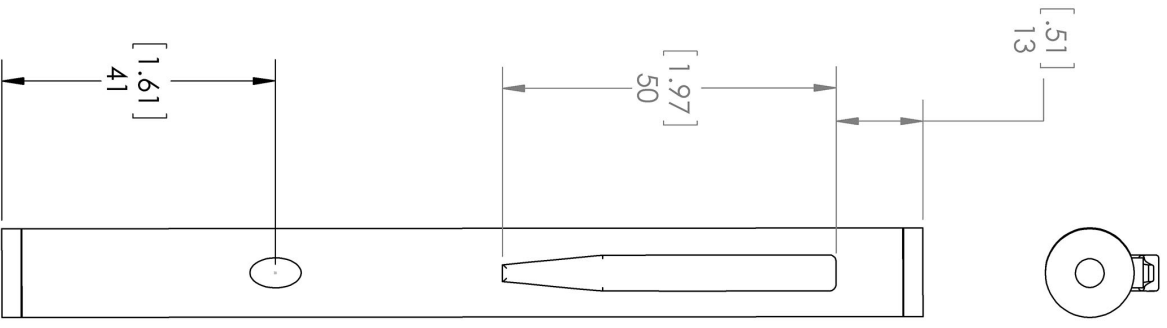
Q-Switched: Specifications are based on the laser pulsing at the specified design frequency. Output characteristics may change if the laser is run at a different frequency.

Regulatory Classification:

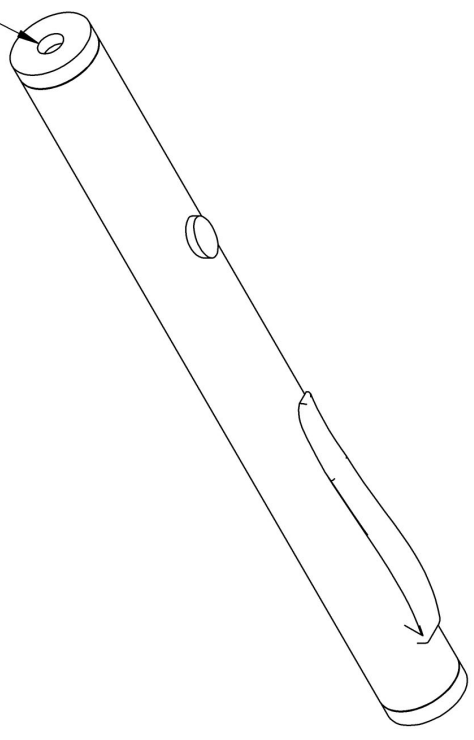
The model you have selected (GAU005GXX) requires the following safety label(s):



Dimensional Drawing - Laser Form Factor: GLY:



Aperture



UNLESS OTHERWISE SPECIFIED:
 DIMENSIONS ARE IN MM(INCH)
 TOLERANCES: +/- 0.075 MM


THE INFORMATION CONTAINED IN THIS DRAWING IS THE SOLE PROPERTY OF LASERGLOW TECHNOLOGIES. ANY REPRODUCTION IN PART OR AS A WHOLE WITHOUT THE WRITTEN PERMISSION OF LASERGLOW TECHNOLOGIES IS PROHIBITED. © 2012 LASERGLOW.COM LIMITED. ALL RIGHTS RESERVED

TITLE: Lyra / Precious Metal Series REV 1	
SCALE: 1:1	SHEET 1 OF 1

LaserGlow Technologies

Accessories:

The most popular accessories for model GAU005GXX are shown below. For additional details regarding these or other accessories please see our website or contact us directly.

Part Number	Description	
 ASE001XXX	Engraving On Laser Pointer Max. 2 lines 45 characters each Full Details: www.laserglow.com/ASE	

FOR MORE INFORMATION PLEASE CONTACT:

LASERGLOW TECHNOLOGIES
99 Ingram Dr. Unit B, North York, ON, Canada M6M2L7
Tel. (416) 729-7976 Fax (480) 247-4864
sales@laserglow.com www.laserglow.com

E&OE: Data included in this sheet may be subject to change without notice.

Please confirm critical specifications with our staff prior to ordering.