

Hydra Blue Laser Pointer

Laserglow Part Number: GHP005XXX



Similar Products:

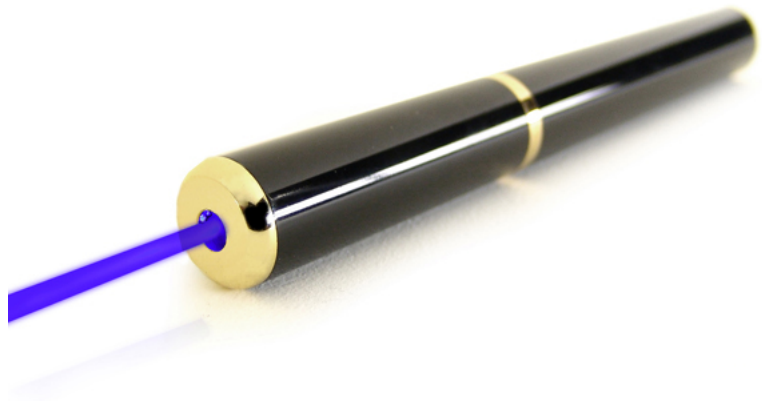
For information about the other lasers in this product family visit:

<http://www.laserglow.com/GHP>

Ordering:

Order Online Now or Request Quote:

<http://www.laserglow.com/GHP005XXX>



Series Specifications:

| | |
|--------------------|--------|
| Nominal Wavelength | 447 nm |
| Output Type | CW |
| Laser Source Type | Diode |

Overview:

Cutting-edge 447 nm laser diode technology is what makes this blue laser pointer both unique and affordable. Keep everyone's attention with the Hydra's deep blue light. This

Key Features:

- *Starting at: \$279*
- *Output Power: 2 mW - 4.99 mW (Varies with model)*
- *Expected Life: 5000 hours*
- *Wavelength: 447 nm (blue)*
- *Key Feature: Cutting-edge laser diode technology in an affordable blue laser pointer!*
- *Package Includes: Laser pointer, aluminum carrying case, instructions/warranty.*
- *Casing: Piano-black finished Brass with gold accents*
- *Safety Info: Complies with Class IIIa regulations*
- *Duty Cycle: 100%*

Specifications:

This spec sheet has been generated specifically for part number GHP005XXX, per your request, and data for the entire series is also displayed for your reference. The specs which are specific to GHP005XXX have been highlighted below in **red + bold**.

| | |
|--|---------------------------|
| Laser Form Factor | GAP |
| Output Power (mW) | <5 |
| FDA Safety Class | IIIa |
| Central Wavelength (nm) | 447 |
| Wavelength Tolerance (+/- nm) | 5 |
| Divergence (mrad, full angle) | <1.5 |
| Beam Dimensions (mm, 1/e ²) | 5 |
| Transverse Mode | Near TEM00 |
| Longitudinal Modes | Multiple |
| Approximate Peak Power (W) | 5 |
| Operating Temperature Range (°C) | -5 to 40 |
| Storage Temperature Range (°C) | -10 to 50 |
| Total Power Consumption (W) | 1 |
| Max. Power Input Duty Cycle | 100% |
| Cooling Method | Passive Air |
| Standard Warranty (months) | 6 |
| MTTF (operational hours) | 5000 |
| Weight of Product or Laser Head (kg) | 0.1 |
| Dimensions of Product or Laser Head (mm) | 150 (l) x 16.5 (d) |
| Power Supply | 2 x CR2 Batteries |

CW: All specifications are based on performance at full output power and after the specified warmup period. Output characteristics may change if the laser is run at a different power level.

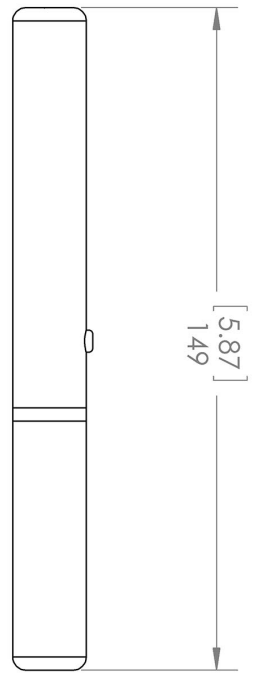
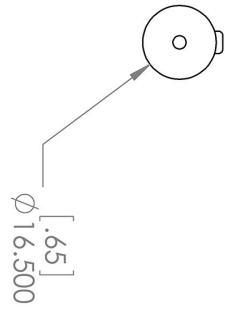
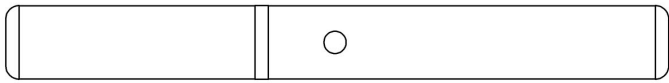
Q-Switched: Specifications are based on the laser pulsing at the specified design frequency. Output characteristics may change if the laser is run at a different frequency.

Regulatory Classification:

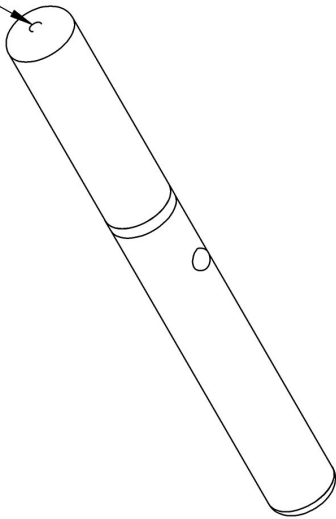
The model you have selected (GHP005XXX) requires the following safety label(s):



Dimensional Drawing - Laser Form Factor: GAP:



Aperture



UNLESS OTHERWISE SPECIFIED:
DIMENSIONS ARE IN MM(INCH)
TOLERANCES: +/- 0.75 MM

THE INFORMATION CONTAINED IN THIS
DRAWING IS THE SOLE PROPERTY OF
LASERGLLOW TECHNOLOGIES. ANY
REPRODUCTION IN PART OR AS A WHOLE
WITHOUT THE WRITTEN PERMISSION OF
LASERGLLOW TECHNOLOGIES IS
PROHIBITED. © 2012 LASERGLLOW.COM
LIMITED. ALL RIGHTS RESERVED

Laserglow Technologies

TITLE:
**Aquarius /
Rigel HV /
Electra / Hydra**
REV
1

SCALE: 2:3

SHEET 1 OF 1

Accessories:

The most popular accessories for model GHP005XXX are shown below. For additional details regarding these or other accessories please see our website or contact us directly.

| Part Number | Description | |
|-------------|-------------|--|
|-------------|-------------|--|

FOR MORE INFORMATION PLEASE CONTACT:

LASERGLOW TECHNOLOGIES

99 Ingram Dr. Unit B, North York, ON, Canada M6M2L7

Tel. (416) 729-7976 Fax (480) 247-4864

sales@laserglow.com www.laserglow.com

E&OE: Data included in this sheet may be subject to change without notice.

Please confirm critical specifications with our staff prior to ordering.