

LBD-635 Brightline Economy Line-Projecting Laser

Laserglow Part Number: BLR0053XX

Similar Products:

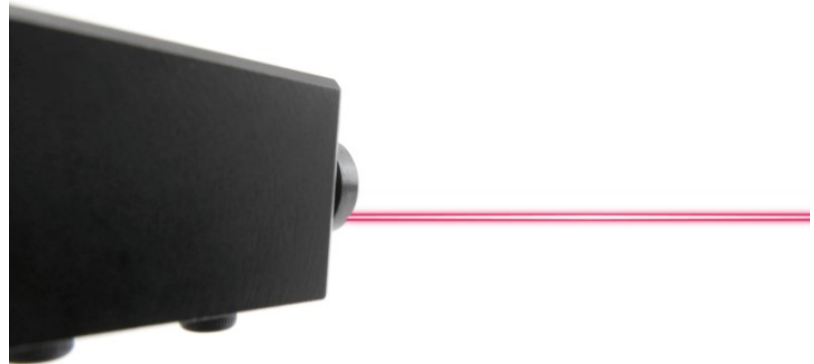
For information about the other lasers in this product family visit:

<http://www.laserglow.com/BLR>

Ordering:

Order Online Now or Request Quote:

<http://www.laserglow.com/BLR0053XX>



Series Specifications:

Nominal Wavelength	635 nm
Output Type	CW
Laser Source Type	Diode

Overview:

Laserglow's line-generating laser modules are ideal for any application where a highly visible line projected on to a surface is needed. Laser modules are available in 10, 30 or 100 degree fan angles, determining the projected line length at a given distance. The Brightline Series Red Line generating laser

modules are an economical solution for tasks requiring a moderate level of precision.

Key Features:

- *Starting at: \$139*
- *Output Power:*
- *Expected Life:* 3000-5000 hours
- *Projection Type (dot/line/cross):* Line
- *Key Feature:* Projects red line at an economical price.
- *Casing:* Machined Aluminum
- *Package Includes:* Laser module, aluminum casing with tripod mount, plastic carrying case, instructions/warranty (standard power supply and mounting bracket included).
- *Line Straightness:* Better than 0.1% over full length

Applications:

- LumberLine Lasers & Stone Cutting Lasers
- Saw Lasers
- Rip saw lasers
- Band Saw Lasers
- Bridge Saw Lasers
- Stone Cutting Lasers
- Laser Docking System For Trucks & Trailers
- Truck Lasers
- Vison Lasers
- Laser crosshair generator
- Torch machine laser crosshairs
- Safety Hazard Zone Projection

Specifications:

This spec sheet has been generated specifically for part number BLR0053XX, per your request, and data for the entire series is also displayed for your reference. The specs which are specific to BLR0053XX have been highlighted below in **red + bold**.

Laser Form Factor	B6
Output Power (mW)	<5
Output Power Stability (%RMS/4h)	<20
IEC Safety Class	2, 3R
Projection Type (See below for detail)	Line (Cylindrical Lens CYL)
Projection Fan Angle (°, full angle)	10, 30 , 100
Divergence (mrad, full angle)	<1
Beam Dimensions (mm, 1/e ²)	4
Transverse Mode	Near TEM00
Longitudinal Modes	Multiple
Operating Temperature Range (°C)	-10 to 40
Storage Temperature Range (°C)	-10 to 50
Total Power Consumption (W)	1
Max. Power Input Duty Cycle	100%
Cooling Method	Passive Air
Standard Warranty (months)	6
MTTF (operational hours)	5000
Weight of Product or Laser Head (kg)	0.1
Dimensions of Product or Laser Head (mm)	32 (l) x 12 (d)
Power Supply	3.0 VDC input

CW: All specifications are based on performance at full output power and after the specified warmup period. Output characteristics may change if the laser is run at a different power level.

Q-Switched: Specifications are based on the laser pulsing at the specified design frequency. Output characteristics may change if the laser is run at a different frequency.

Power Supply Options:

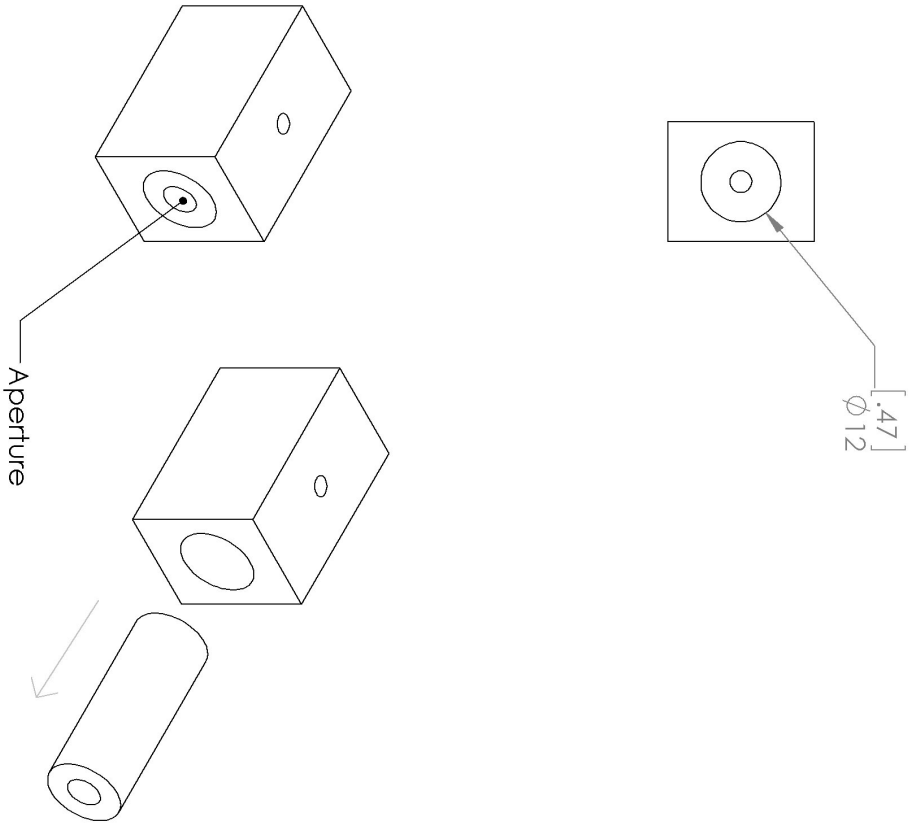
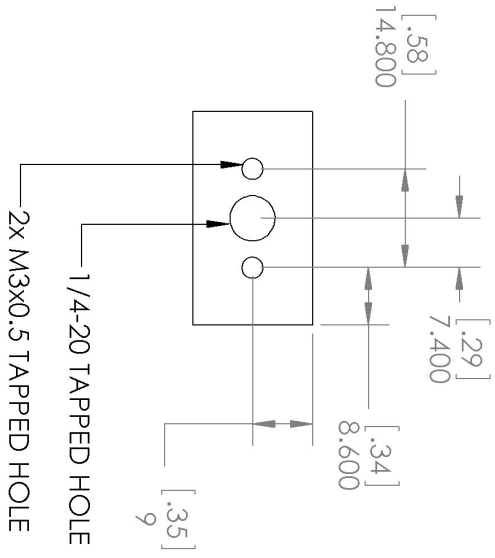
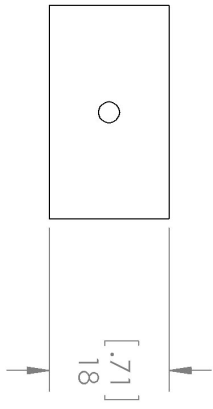
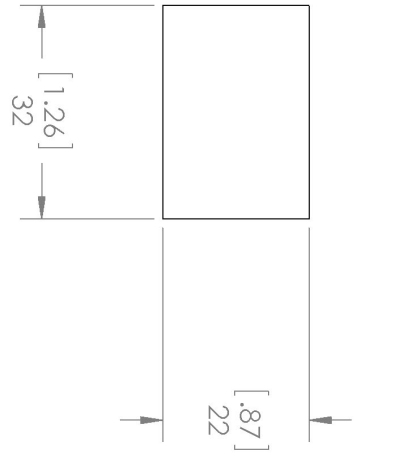
The Brightline Economy and Brightline Pro series of alignment lasers accept direct DC input of 3.0 VDC. The power connector is a 5.5 mm OD, 2.1 mm ID DC Barrel Jack. (center pole positive.) If you do not want to provide DC current directly, we recommend that you use our AC power supply. The model number for the standard North American AC Power Supply is ABP00AFXX and you can find complete details here: www.laserglow.com/ABP. The dimensional drawing for the standard power supply is included on page 5 for your reference.

Regulatory Classification:

The model you have selected (BLR0053XX) requires the following safety label(s):







Dimensional Drawing - Laser Form Factor: B6:



<p>Laserglow Technologies</p>	
<p>TITLE:</p> <p>Brightline</p> <p>Form Factor B6</p> <p>REV 1</p>	
<p>UNLESS OTHERWISE SPECIFIED: DIMENSIONS ARE IN MM(INCH) TOLERANCES: +/- 0.75 MM</p>	
<p>THE INFORMATION CONTAINED IN THIS DRAWING IS THE SOLE PROPERTY OF LASERGLOW TECHNOLOGIES. ANY REPRODUCTION IN PART OR AS A WHOLE WITHOUT THE WRITTEN PERMISSION OF LASERGLOW TECHNOLOGIES IS PROHIBITED. © 2012 LASERGLOW.COM LIMITED. ALL RIGHTS RESERVED</p>	
<p>SCALE: 1:1</p>	<p>SHEET 1 OF 1</p>

Accessories:

The most popular accessories for model BLR0053XX are shown below. For additional details regarding these or other accessories please see our website or contact us directly.

Part Number	Description	
 <p data-bbox="131 449 258 470">ABF00AXXX</p>	<p data-bbox="310 338 967 411">ABF-N.American Brightline 3V Standard Power Supply (80-260 VAC, N. American plug) Full Details: www.laserglow.com/ABF</p>	<p data-bbox="1127 365 1312 386">Included With Laser</p>
 <p data-bbox="131 621 258 642">ADB002XXX</p>	<p data-bbox="310 516 643 621">ADB-deluxe Brightline Deluxe Mounting Bracket V2 Full Details: www.laserglow.com/ADB</p>	
 <p data-bbox="131 795 258 816">ADB002XXX</p>	<p data-bbox="310 690 643 795">ADB-deluxe Brightline Deluxe Mounting Bracket V2 Full Details: www.laserglow.com/ADB</p>	
 <p data-bbox="131 970 258 991">AMMA00XXX</p>	<p data-bbox="310 865 680 970">AMA-Mounting Arm Articulating Mounting Arm 1/4-20 thread Full Details: www.laserglow.com/AMM</p>	

FOR MORE INFORMATION PLEASE CONTACT:

LASERGLOW TECHNOLOGIES
 99 Ingram Dr. Unit B, North York, ON, Canada M6M2L7
 Tel. (416) 729-7976 Fax (716) 322-3510
sales@laserglow.com www.laserglow.com

E&OE: Data included in this sheet may be subject to change without notice.

Please confirm critical specifications with our staff prior to ordering.