

LES-532 Brightline PRL Dot-Projecting Laser

**Laserglow Part Number:
EDG005XXX**



Similar Products:

For information about the other lasers in this product family visit:

<http://www.laserglow.com/EDG>

Ordering:

Order Online Now or Request Quote:

<http://www.laserglow.com/EDG005XXX>

Series Specifications:

Nominal Wavelength	532 nm
Output Type	CW
Laser Source Type	DPSS

Overview:

With most green lasers, the beam may exit the laser at a slight angle. The Brightline PRL series features an adjustable beam angle, so you can set the laser beam to be parallel to the body. This way, the laser body can be used as your alignment reference. In addition, green lasers are four to five times more visible to the human eye than red lasers of the same output power, making the Brightline PRL Green lasers a versatile alignment solution under any lighting conditions. These products are often used for shaft alignment or the alignment of rotating machinery.

Key Features:

- *Starting at: \$429*
- *Expected Life: 3000-5000 hours*
- *Projection Type: Dot*
- *Key Feature: Beam is steerable relative to housing. Can be made parallel to better than 0.1°.*
- *Package Includes: Alignment laser mounted in block (mounting bracket and power supply optional)*
- *Casing: Machined Aluminum*

Specifications:

This spec sheet has been generated specifically for part number EDG005XXX, per your request, and data for the entire series is also displayed for your reference. The specs which are specific to EDG005XXX have been highlighted below in **red + bold**.

Laser Form Factor	B2
Output Power (mW)	<5
Output Power Stability (%RMS/4h)	<20
FDA Safety Class	IIIa
IEC Safety Class	3R
Central Wavelength (nm)	531.65
Projection Type (See below for detail)	Dot
Divergence (mrad, full angle)	<0.1
Beam Dimensions (mm, 1/e ²)	3
Transverse Mode	Near TEM00
Longitudinal Modes	Multiple
M ²	<1.5
Operating Temperature Range (°C)	15 to 35
Max. TTL Modulation Freq. (Hz)	200
Modulation Input Signal	0-5 VDC
Total Power Consumption (W)	2
Max. Power Input Duty Cycle	100%
Cooling Method	Passive Air
Standard Warranty (months)	6
MTTF (operational hours)	5000
Weight of Product or Laser Head (kg)	0.12
Dimensions of Product or Laser Head (mm)	80 (l) x 20 (d)
Power Supply	3.0 VDC input

CW: All specifications are based on performance at full output power and after the specified warmup period. Output characteristics may change if the laser is run at a different power level.

Q-Switched: Specifications are based on the laser pulsing at the specified design frequency. Output characteristics may change if the laser is run at a different frequency.

Power Supply Options:

The Brightline Economy and Brightline Pro series of alignment lasers accept direct DC input of 3.0 VDC. The power connector is a 5.5 mm OD, 2.1 mm ID DC Barrel Jack. (center pole positive.) If you do not want to provide DC current directly, we recommend that you use our AC power supply. The model number for the standard North American AC Power Supply is ABP00AFXX and you can find complete details here: www.laserglow.com/ABP. The dimensional drawing for the standard power supply is included on page 5 for your reference.

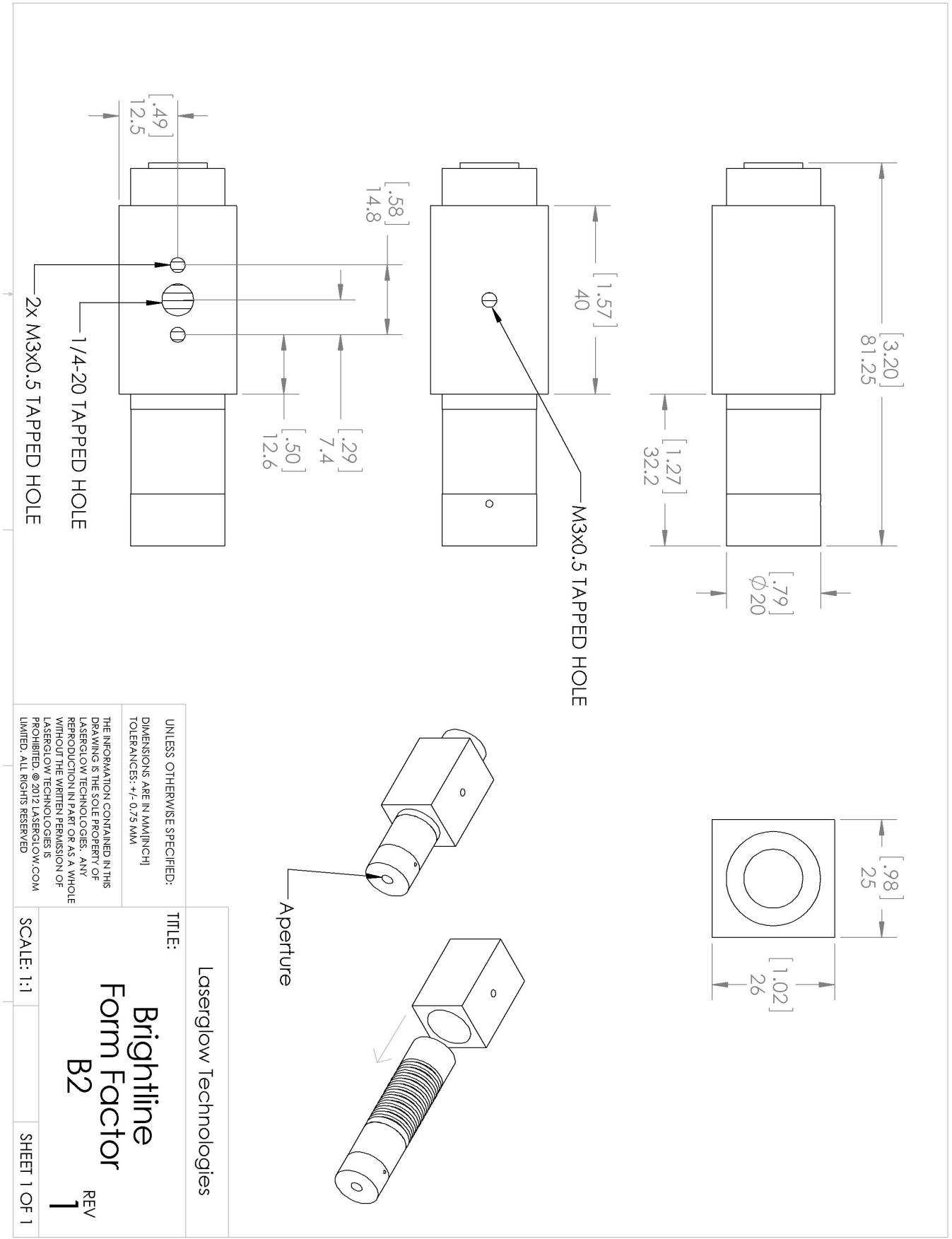
Regulatory Classification:

The model you have selected (EDG005XXX) requires the following safety label(s):



LASERGLOW.COM LIMITED, 873 St. Clair Ave W, Toronto, ON, Canada M6C 1C4

Dimensional Drawing - Laser Form Factor: B2:



Laserglow Technologies

TITLE:

**Brightline
Form Factor
B2**

REV
1

SCALE: 1:1

SHEET 1 OF 1



UNLESS OTHERWISE SPECIFIED:
DIMENSIONS ARE IN MILLIMETER
TOLERANCES: +/- 0.075 MM

THE INFORMATION CONTAINED IN THIS
DRAWING IS THE SOLE PROPERTY OF
LASERGLLOW TECHNOLOGIES. ANY
REPRODUCTION IN PART OR AS A WHOLE
WITHOUT THE WRITTEN PERMISSION OF
LASERGLLOW TECHNOLOGIES IS
PROHIBITED. © 2012 LASERGLLOW.COM
LIMITED. ALL RIGHTS RESERVED

Aperture

Accessories:

The most popular accessories for model EDG005XXX are shown below. For additional details regarding these or other accessories please see our website or contact us directly.

Part Number	Description	
 ABF00AXXX	ABF-N.American Brightline 3V Standard Power Supply (80-260 VAC, N. American plug) Full Details: www.laserglow.com/ABF	Included With Laser
 ADB002XXX	ADB-deluxe Brightline Deluxe Mounting Bracket V2 Full Details: www.laserglow.com/ADB	Included With Laser

FOR MORE INFORMATION PLEASE CONTACT:

LASERGLOW TECHNOLOGIES
99 Ingram Dr. Unit B, North York, ON, Canada M6M2L7
Tel. (416) 729-7976 Fax (716) 322-3510
sales@laserglow.com www.laserglow.com

E&OE: Data included in this sheet may be subject to change without notice.

Please confirm critical specifications with our staff prior to ordering.