

LID-0852 Enhanced Beam Profile Diode Laser System

Laserglow Part Number: I853005FX



Similar Products:

For information about the other lasers in this product family visit:

<http://www.laserglow.com/I85>

Ordering:

Order Online Now or Request Quote:

<http://www.laserglow.com/I853005FX>

Series Specifications:

Nominal Wavelength	852 nm
Output Type	CW
Laser Source Type	Diode



Overview:

The LID-0852 Series of Enhanced Profile Collimated Diode (Semiconductor) Lasers are ideal for applications requiring both a wavelength in the 852 nm near-IR range and a good beam profile typically unavailable in a diode laser. This series is available in a range of output power levels of 100 mW to >500 mW with a high level of long-term output power stability and long operating lifetime at an aggressively competitive cost.

These lasers are commonly used for various scientific applications involving biological research as well as PIV, spectral analysis, and a broad spectrum of other applications. The driver is available as a complete FDA-compliant system or as an O.E.M. component with significantly reduced dimensions.

Key Features:

- Round, homogeneous, flat-top transverse beam profile
- Air cooled – no need for water cooling or external chiller
- Lightweight, compact design
- Efficient Diode Laser technology runs on standard AC power (85 – 264 V, 47 – 63 Hz)
- >10,000 hours continuous maintenance-free operating life
- FDA CDRH Compliant Class IIIb / Class IV enclosure
- 48-hour replacement coverage available for an additional fee on specific models

Package Includes:

- Laser Head
- Driver/Power Supply
- Power Cable
- BNC Connector (LabSpec models only)
- Keys, Safety Interlock
- Hard-shell Carrying Case

Specifications:

This spec sheet has been generated specifically for part number I853005FX, per your request, and data for the entire series is also displayed for your reference. The specs which are specific to I853005FX have been highlighted below in **red + bold**.


Laser Form Factor	R
Output Power (mW)	>100, >300 , >500
Output Power Stability (%RMS/4h)	<1, <3, <5 , <10
FDA Safety Class	IIIb , IV
Wavelength Tolerance (+/- nm)	5
Divergence (mrad, full angle)	<8, <18
Beam Dimensions (mm, 1/e ²)	2
Longitudinal Modes	Multiple
Warm-up Time (minutes)	5
Operating Temperature Range (°C)	10 to 35
Storage Temperature Range (°C)	-10 to 50
Max. Analog Modulation Freq. (Hz)	30000
Max. TTL Modulation Freq. (Hz)	10000, 30000
Modulation Input Signal	0-5 VDC
Max. Power Input Duty Cycle	100%
Cooling Method	TEC
Standard Warranty (months)	12
MTTF (operational hours)	10000
Weight of Laser Head (kg)	0.6
Beam Height from Base Plate (mm)	24.8
Laser Head Dimensions (mm)	140.7 (l) x 73 (w) x 46.2 (h)


CW: All specifications are based on performance at full output power and after the specified warmup period. Output characteristics may change if the laser is run at a different power level.

Q-Switched: Specifications are based on the laser pulsing at the specified design frequency. Output characteristics may change if the laser is run at a different frequency.

Power Supply Options:

These lasers are available with several different power supply options. The model that you have selected is highlighted below, and any other options are shown for easy reference.

	Power Supply Type:	FR
 FDA-Compliant LabSpec	Input Power	85v to 264v
	Power Supply Weight (kg)	1.5
	Dimensions (mm)	154 (l) x 155 (w) x 95 (h)

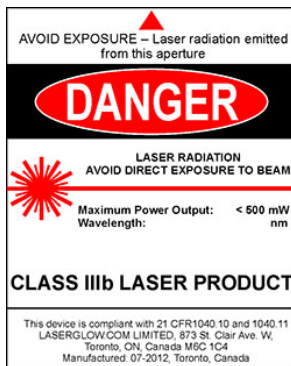
	Power Supply Type:	SR
 FDA-Compliant Standard	Input Power	85v to 264v
	Power Supply Weight (kg)	1.2
	Dimensions (mm)	133 (l) x 130 (w) x 65 (h)

*Power supply may not be exactly as shown, see dimensional drawings on next 2 pages.

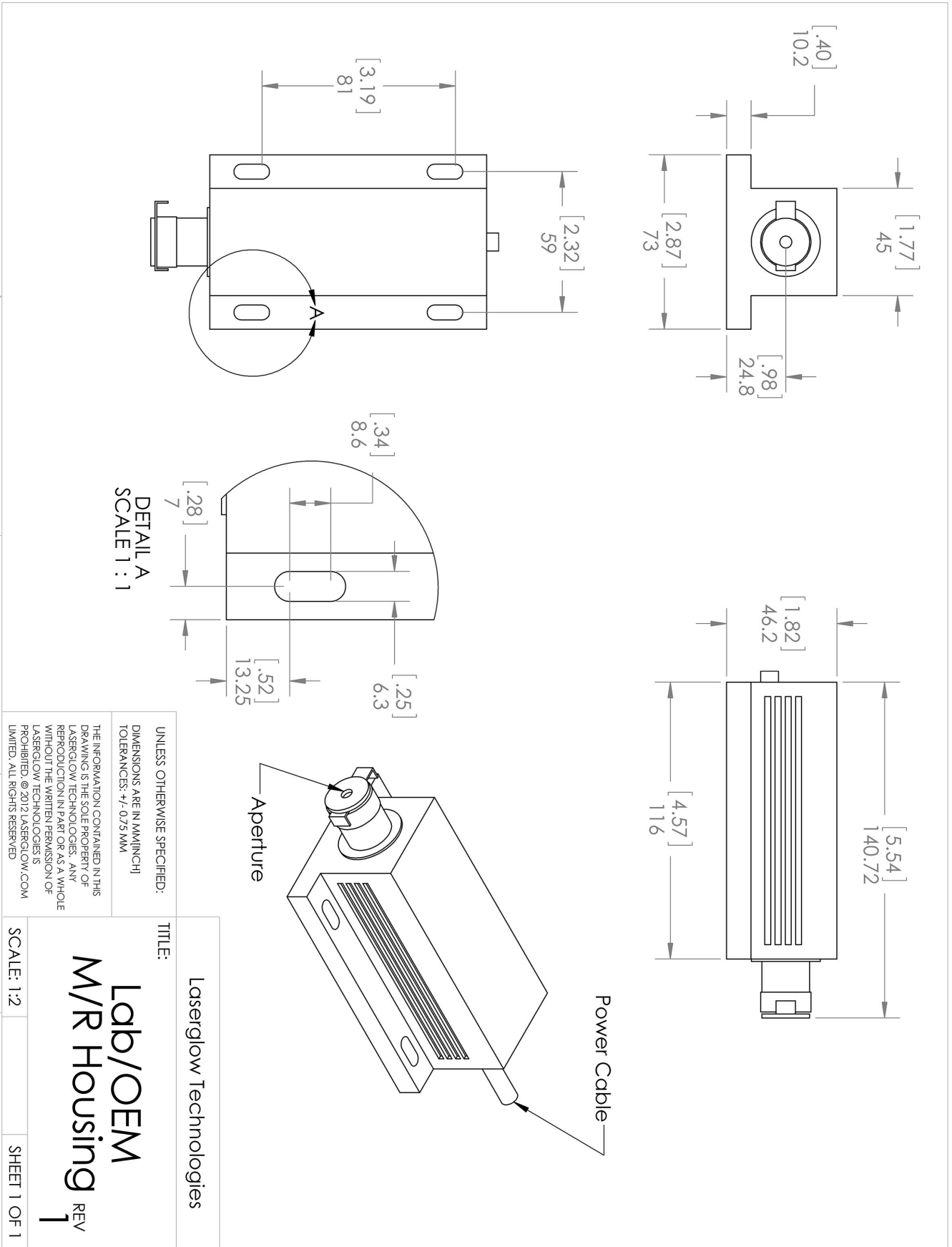
*Dimensions for fiber-integrated (l_) include laser head packaged inside.

Regulatory Classification:

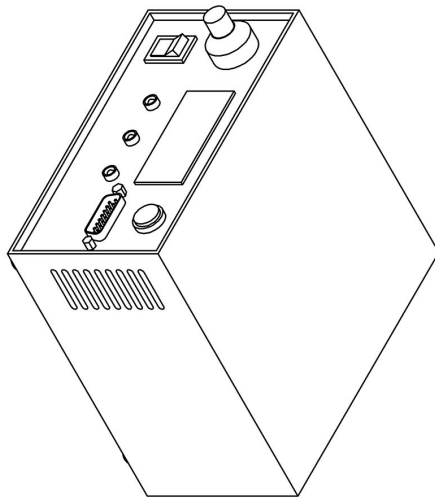
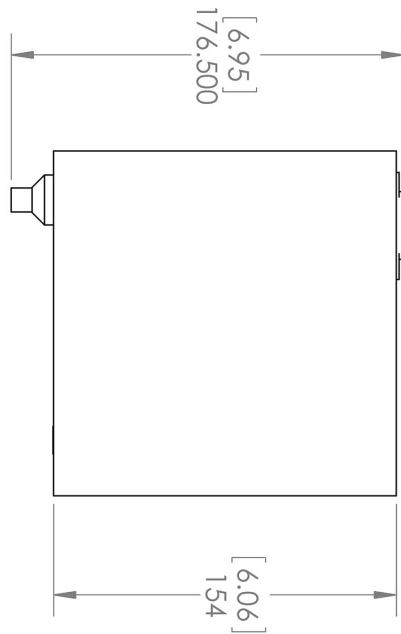
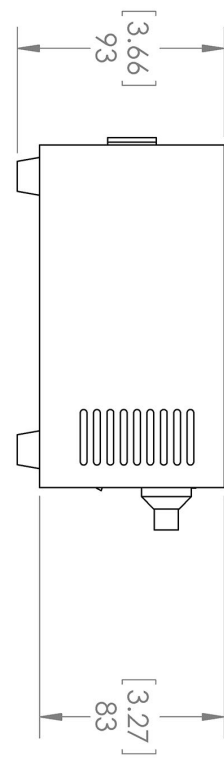
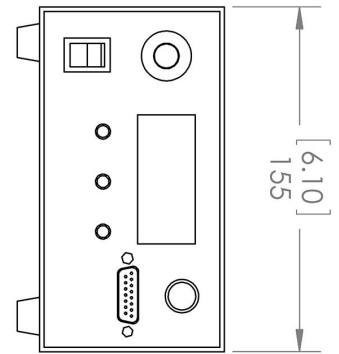
The model you have selected (I853005FX) requires the following safety label(s):



Dimensional Drawing - Laser Form Factor: R:



Dimensional Drawing - Power Supply Form Factor: FR:



UNLESS OTHERWISE SPECIFIED:
 DIMENSIONS ARE IN MM(INCH)
 TOLERANCES: +/- 0.275 MM

THE INFORMATION CONTAINED IN THIS DRAWING IS THE SOLE PROPERTY OF LASERGLOW TECHNOLOGIES. ANY REPRODUCTION IN PART OR AS A WHOLE WITHOUT THE WRITTEN PERMISSION OF LASERGLOW TECHNOLOGIES IS PROHIBITED. © 2012 LASERGLOW.COM LIMITED. ALL RIGHTS RESERVED

Laserglow Technologies



TITLE:
Power Supply
FM/FR
 REV
1

SCALE: 1:3

SHEET 1 OF 1

Accessories:

The most popular accessories for model I853005FX are shown below. For additional details regarding these or other accessories please see our website or contact us directly.

Part Number	Description	
 ACALBMXXX	Carrying Case-102 Holds Lab/OEM M, R and S size, standard or LabSpec laser Full Details: www.laserglow.com/ACA	Included With Laser
 AGFYAG7XX	LSG-YAG-NF-7 Fit-Over Safety Goggles 808/1064nm Output: OD 7+ at 750-1064 nm CE Certified Full Details: www.laserglow.com/AGF	

FOR MORE INFORMATION PLEASE CONTACT:

LASERGLOW TECHNOLOGIES
873 St. Clair Ave West, Toronto, ON, Canada M6C1C4
Tel. (416) 729-7976 Fax (480) 247-4864
sales@laserglow.com www.laserglow.com

E&OE: Data included in this sheet may be subject to change without notice.

Please confirm critical specifications with our staff prior to ordering.