

LMM-UVB1 Combined Triple- Wavelength Laser System

Image
Coming
Soon!

Series Specifications:

Nominal Wavelength	375 nm, 405 nm, 447 nm
Output Type	CW
Laser Source Type	Diode

Overview:

Specifications:

This spec sheet has been generated specifically for part number M39-2, per your request. Each column represents the specifications of the individual component lasers that make up the multi-wavelength system.


Component Laser Wavelength (nm)	375	405	447
Output Power (mW)	>10	>10	>10
Output Power Stability (%RMS/4h)	<3	<3	<3
FDA Safety Class	IIIb	IIIb	IIIb
Divergence (mrad, full angle)	<0.5	<0.5	<2x1.6
Beam Dimensions (mm, 1/e ²)	3	4	2.5x5
Longitudinal Modes	Multiple	Multiple	Multiple
M ²	<1.5		
Storage Temperature Range (°C)	-10 to	-10 to	-10 to
Max. Analog Modulation Freq. (Hz)	30000	30000	30000
Max. TTL Modulation Freq. (Hz)	30000	30000	30000
Modulation Input Signal	0-5 VDC	0-5 VDC	0-5 VDC
Total Power Consumption (W)	15	9	10
Max. Power Input Duty Cycle	100%	100%	100%
Standard Warranty (months)	12	12	12
MTTF (operational hours)	10000	10000	10000

CW: All specifications are based on performance at full output power and after the specified warmup period. Output characteristics may change if the laser is run at a different power level.

Q-Switched: Specifications are based on the laser pulsing at the specified design frequency. Output characteristics may change if the laser is run at a different frequency.

Power Supply Options:

These lasers are available with several different power supply options. The model that you have selected is highlighted below, and any other options are shown for easy reference.

	Power Supply Type:	FR
	Input Power	85v to 264v
	Power Supply Weight (kg)	1.5
	Dimensions (mm)	154 (l) x 155 (w) x 95 (h)

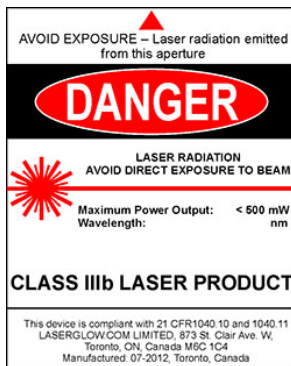
Multi-wavelength lasers include a separate power supply for each wavelength. In some cases the power supply for each wavelength may be slightly different in size. If the dimensions of the power supply are a concern for you please inquire with us before placing your order.

*Power supply may not be exactly as shown, see dimensional drawings on next 2 pages.

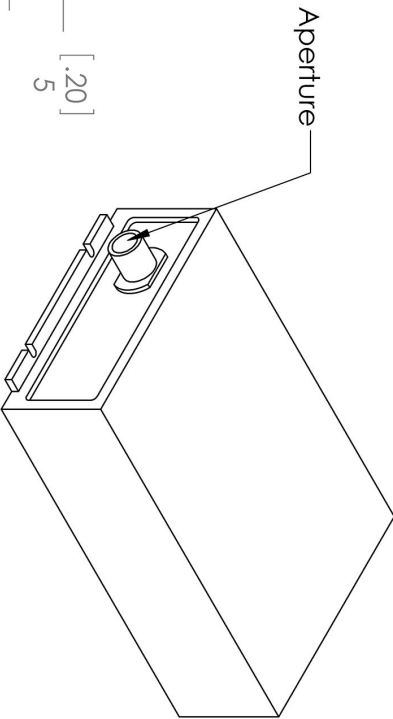
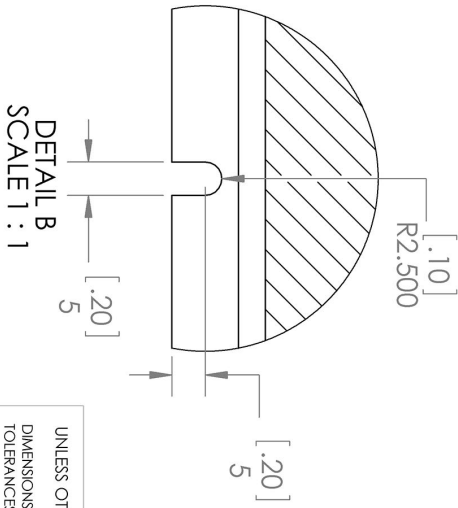
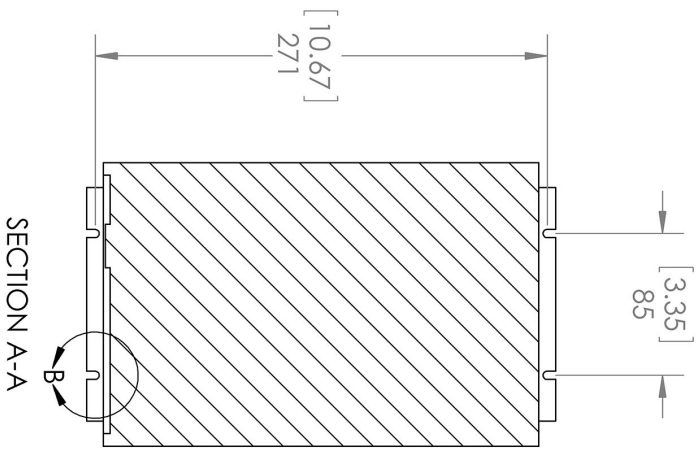
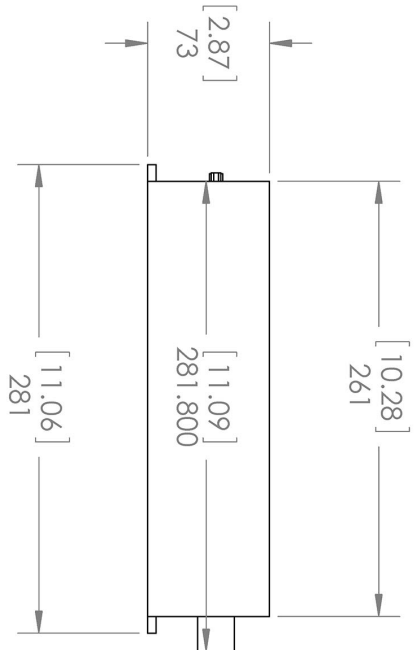
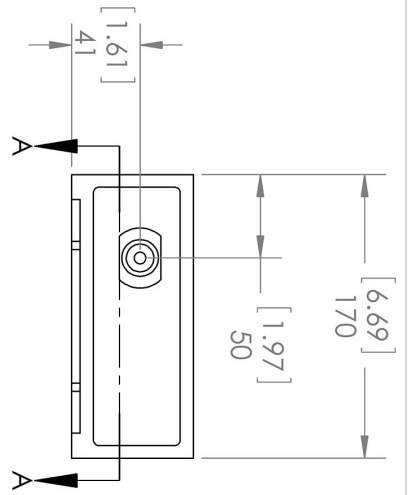
*Dimensions for fiber-integrated (I_) include laser head packaged inside.

Regulatory Classification:

The model you have selected (M39-2) requires the following safety label(s):



Dimensional Drawing - Laser Form Factor: 2:

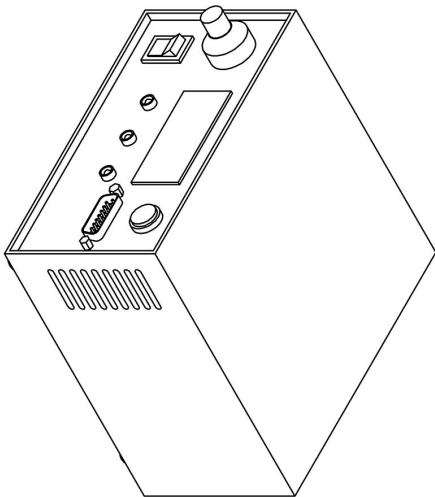
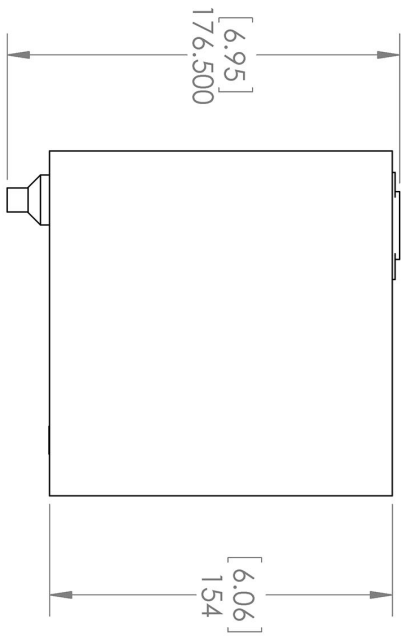
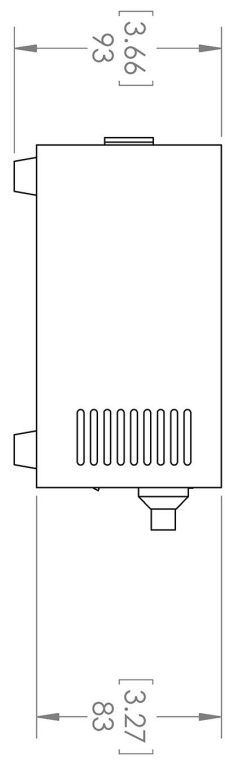
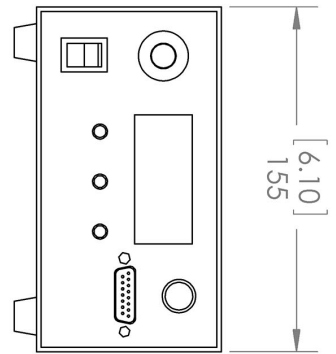


UNLESS OTHERWISE SPECIFIED:
 DIMENSIONS ARE IN MILLIMETER
 TOLERANCES: +/- 0.075 MM

THE INFORMATION CONTAINED IN THIS DRAWING IS THE SOLE PROPERTY OF LASERGLOW TECHNOLOGIES. ANY REPRODUCTION IN PART OR AS A WHOLE WITHOUT THE WRITTEN PERMISSION OF LASERGLOW TECHNOLOGIES IS PROHIBITED. © 2012 LASERGLOW.COM LIMITED. ALL RIGHTS RESERVED

TITLE: Lab/OEM 2 Housing	
SCALE: 1:4	SHEET 1 OF 1
REV 1	

Dimensional Drawing - Power Supply Form Factor: FM:



UNLESS OTHERWISE SPECIFIED:
 DIMENSIONS ARE IN MM(INCH)
 TOLERANCES: +/- 0.75 MM

THE INFORMATION CONTAINED IN THIS DRAWING IS THE SOLE PROPERTY OF LASERGLOW TECHNOLOGIES. ANY REPRODUCTION IN PART OR AS A WHOLE WITHOUT THE WRITTEN PERMISSION OF LASERGLOW TECHNOLOGIES IS PROHIBITED. © 2012 LASERGLOW.COM LIMITED. ALL RIGHTS RESERVED

Laserglow Technologies

TITLE:

Power Supply
FM/FR

REV
1

SCALE: 1:3

SHEET 1 OF 1

Accessories:

The most popular accessories for model M39-2 are shown below. For additional details regarding these or other accessories please see our website or contact us directly.

Part Number	Description	
-------------	-------------	--

FOR MORE INFORMATION PLEASE CONTACT:

LASERGLOW TECHNOLOGIES

873 St. Clair Ave West, Toronto, ON, Canada M6C1C4

Tel. (416) 729-7976 Fax (480) 247-4864

sales@laserglow.com www.laserglow.com

E&OE: Data included in this sheet may be subject to change without notice.

Please confirm critical specifications with our staff prior to ordering.