

LVD-0785 Diode Laser System For Raman Spectroscopy



Series Specifications:

Nominal Wavelength	785 nm
Output Type	CW
Laser Source Type	Diode

Overview:

785 nm diode lasers are ideal when both reliability and low cost of ownership cannot be compromised. Recent advancements make this laser form factor suitable for an even greater number of applications. As fewer materials absorb at the infrared wavelength, utilizing 785 nm laser light allows for fluorescence suppression. 785 nm is also a lower energy wavelength as compared to visible light, allowing for analysis of sensitive biological specimens.

High power, wavelength stability and narrow linewidth make the 785 nm laser for Raman Spectroscopy from Laserglow Technologies a versatile choice for cost-effective, high-resolution Raman applications.

Key Features:

- Wavelength stabilized at 785.03 nm
- Narrow spectral linewidth at 0.2 nm
- Fiber coupling available: 100 μm - 400 μm (optional)
- Output power: Up to 700 mW
- TTL and Analog modulation available
- Integrated thermoelectric cooling
- CW operating mode
- 10,000 hours expected lifetime
- 1 year warranty

Specifications:

This spec sheet has been generated specifically for part number V78-R, per your request, and data for the entire series is also displayed for your reference. The specs which are specific to V78-R have been highlighted below in **red + bold**.


Output Power (mW)	>200, >300, >450	>200, >300, >400, >600
Output Power Stability (%RMS/4h)	<1, <3	<1, <3
Central Wavelength (nm)	785	785
Wavelength Tolerance (+/- nm)	0.5	0.5
Divergence (mrad, full angle)	<120x240	<3
Beam Dimensions (mm, 1/e ²)		10x1
Warm-up Time (minutes)	5	5
Optical Noise Amplitude (%RMS @ 20 Hz - 20 MHz)	<1	
Spectral Linewidth (nm)	<0.2	<0.2
Polarization Ratio		>50
Operating Temperature Range (°C)	10 to 35	10 to 35
Max. Analog Modulation Freq. (Hz)	30000	30000
Max. TTL Modulation Freq. (Hz)	30000	30000
Modulation Rise Time (us)	10	
Modulation Input Signal	0-5 VDC	0-5 VDC
Max. Power Input Duty Cycle	100%	100%
Standard Warranty (months)	12	12
MTTF (operational hours)	10000	10000
Weight of Product or Laser Head (kg)	0.875	0.6
Beam Height from Base Plate (mm)		24.8
Dimensions of Product or Laser Head (mm)	130 (l) x 98 (w) x 51 (h)	140.7 (l) x 73 (w) x 46.2 (h)


CW: All specifications are based on performance at full output power and after the specified warmup period. Output characteristics may change if the laser is run at a different power level.

Q-Switched: Specifications are based on the laser pulsing at the specified design frequency. Output characteristics may change if the laser is run at a different frequency.

Power Supply Options:

These lasers are available with several different power supply options. The model that you have selected is highlighted below, and any other options are shown for easy reference.

	Power Supply Type:	IS
	Input Power	7v to 15v
	Power Supply Weight (kg)	1
	Dimensions (mm)	130 (l) x 98 (w) x 51 (h)

	Power Supply Type:	FR
	Input Power	85v to 264v
	Power Supply Weight (kg)	1.5
	Dimensions (mm)	154 (l) x 155 (w) x 95 (h)

*Power supply may not be exactly as shown, see dimensional drawings on next 2 pages.

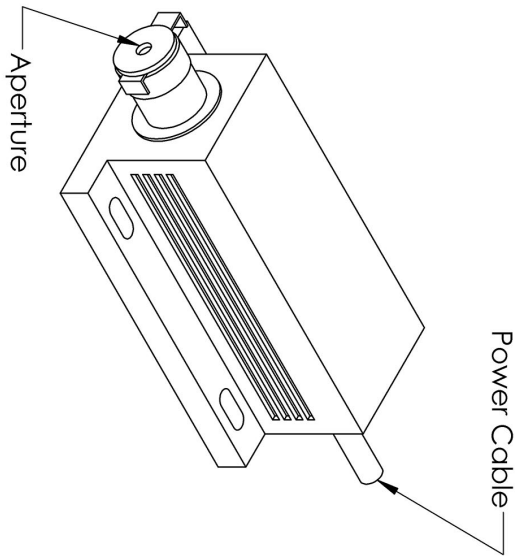
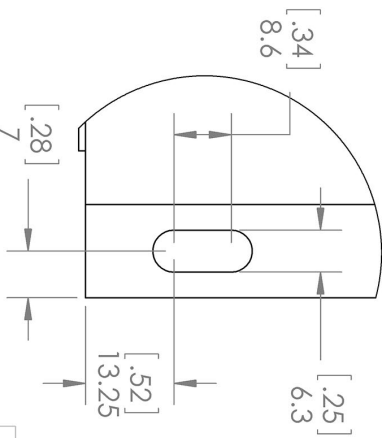
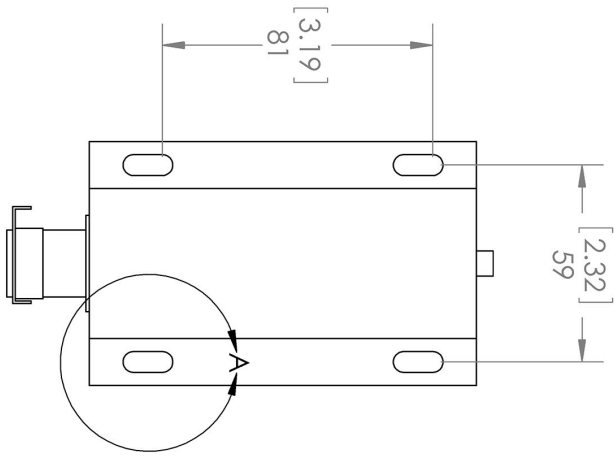
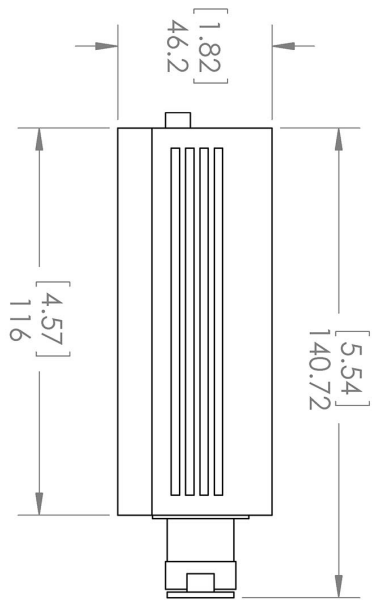
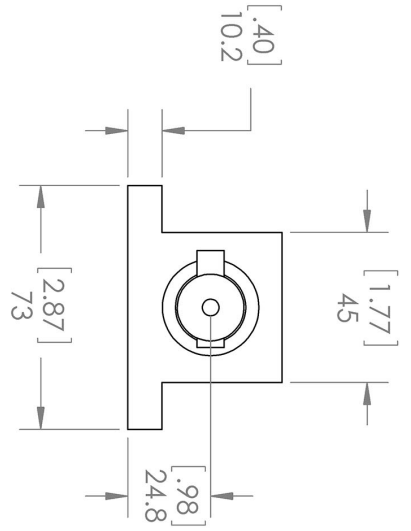
*Dimensions for fiber-integrated (I_) include laser head packaged inside.

Regulatory Classification:

The model you have selected (V78-R) requires the following safety label(s):



Dimensional Drawing - Laser Form Factor: R:



DETAIL A
SCALE 1 : 1

TITLE:
Laserglow Technologies

Lab/OEM
M/R Housing REV 1

UNLESS OTHERWISE SPECIFIED:
DIMENSIONS ARE IN MM(INCH)
TOLERANCES: +/- 0.75 MM

THE INFORMATION CONTAINED IN THIS DRAWING IS THE SOLE PROPERTY OF LASERGLOW TECHNOLOGIES. ANY REPRODUCTION IN PART OR AS A WHOLE WITHOUT THE WRITTEN PERMISSION OF LASERGLOW TECHNOLOGIES IS PROHIBITED. © 2012 LASERGLOW.COM LIMITED. ALL RIGHTS RESERVED

SCALE: 1:2

SHEET 1 OF 1

Dimensional Drawing - Power Supply Form Factor: FR:



UNLESS OTHERWISE SPECIFIED:
 DIMENSIONS ARE IN MM(INCH)
 TOLERANCES: +/- 0.75 MM

THE INFORMATION CONTAINED IN THIS
 DRAWING IS THE SOLE PROPERTY OF
 LASERGLOW TECHNOLOGIES. ANY
 REPRODUCTION IN PART OR AS A WHOLE
 WITHOUT THE WRITTEN PERMISSION OF
 LASERGLOW TECHNOLOGIES IS
 PROHIBITED. © 2012 LASERGLOW.COM
 LIMITED. ALL RIGHTS RESERVED

Laserglow Technologies

TITLE:

Power Supply
FM/FR

REV
1

SCALE: 1:3

SHEET 1 OF 1

Accessories:

The most popular accessories for model V78-R are shown below. For additional details regarding these or other accessories please see our website or contact us directly.

Part Number	Description	
 AGF80859X	LSG-808-NF-6 Fit-Over Safety Goggles 808nm Output: OD 6+ at 800-818 nm CE Certified Full Details: www.laserglow.com/AGF	
 ACALBMXXX	Carrying Case-102 Holds Lab/OEM M, R and S size, standard or LabSpec laser Full Details: www.laserglow.com/ACA	Included With Laser
 AFF2002XX	Armored Fiber With FC/PC Connectors 200um Core Multimode 2m length Full Details: www.laserglow.com/AFF	

FOR MORE INFORMATION PLEASE CONTACT:

LASERGLOW TECHNOLOGIES
99 Ingram Dr. Unit B, North York, ON, Canada M6M2L7
Tel. (416) 729-7976 Fax (716) 322-3510
sales@laserglow.com www.laserglow.com

E&OE: Data included in this sheet may be subject to change without notice.

Please confirm critical specifications with our staff prior to ordering.